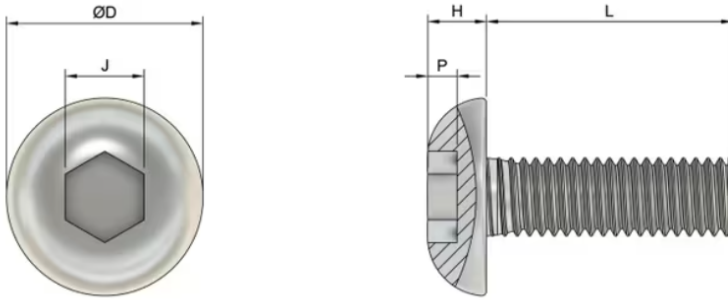


Technical Data Sheet

M5 x 8mm Button Head Screw (BHCS) (ISO 7380) - Stainless Steel 304 (A2-70)



3FParts Product Code (3PC)	3F-00125-342-2071
Head Diameter (D)	9.5mm, Tolerance: +0/-0.36mm
Head Length (H)	2.75mm, Tolerance: +0/-0.25mm
Socket Size (J)	3mm
Socket Depth (Min) (P)	1.56mm
Thread Size (Dia.)	M5
Thread Pitch	0.80 mm
Length (L)	8mm
Manufacturing Standard	ISO 7380
Material	Stainless Steel 304 (A2-70)
Fully Threaded	Yes