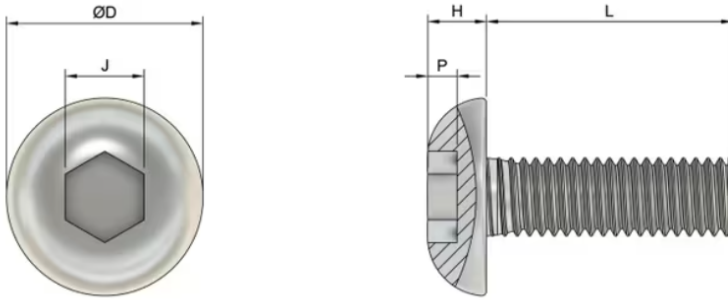


Technical Data Sheet

M4 x 30mm Button Head Screw (BHCS) (ISO 7380) - Stainless Steel 304 (A2-70)



3FParts Product Code (3PC)	3F-00125-900-2056
Head Diameter (D)	7.6mm, Tolerance: +0/-0.36mm
Head Length (H)	2.2mm, Tolerance: +0/-0.25mm
Socket Size (J)	2.5mm
Socket Depth (Min) (P)	1.3mm
Thread Size (Dia.)	M4
Thread Pitch	0.70 mm
Length (L)	30mm
Manufacturing Standard	ISO 7380
Material	Stainless Steel 304 (A2-70)
Fully Threaded	Yes