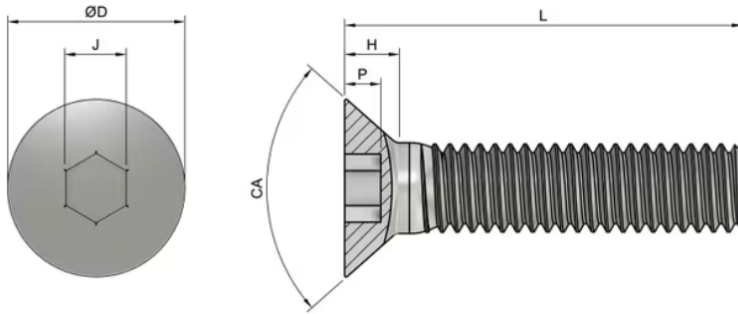


Technical Data Sheet

M2 x 20mm Allen Csk (DIN 7991) - Stainless Steel 304 (A2-70)



3FParts Product Code (3PC)	3F-00125-813-1956
Socket Size (J)	1.3mm
Countersunk Angle (CA)	90 Degrees
Countersunk Length (Max) (H)	1.24mm
Head Diameter (Max) (D)	4.7mm
Head Diameter (Min) (D)	3.66mm
Hexagon Depth (P)	0.65mm
Thread Size (Dia.)	M2
Thread Pitch	0.40 mm
Length (L)	20mm
Manufacturing Standard	DIN 7991
Material	Stainless Steel 304 (A2-70)
Fully Threaded	Yes