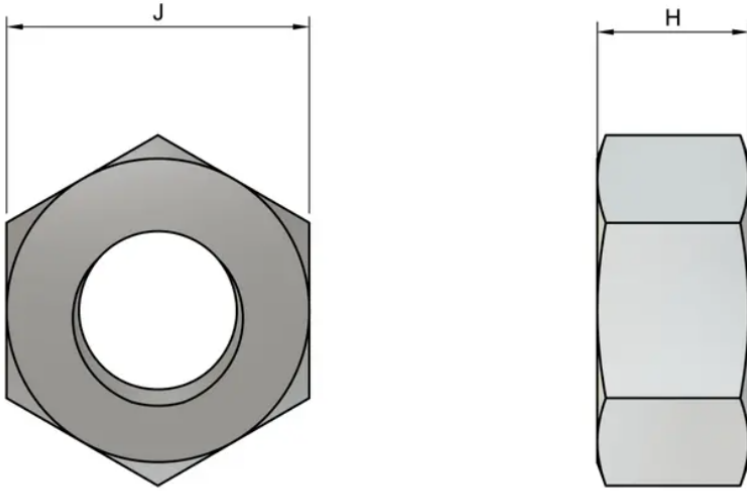


Technical Data Sheet

M16 Hex Nut (DIN 934) - Stainless Steel 316 (A4-70 - A4-80)



3FParts Product Code (3PC)	3F-00125-676-1734
Socket Size (J)	24mm, Tolerance: +0/-0.33mm
Nut Thickness (H)	13mm, Tolerance: +0/-0.7mm
Manufacturing Standard	DIN 934
Thread Size (Dia.)	M16
Thread Pitch	2.00 mm
Material	Stainless Steel 316 (A4-70 - A4-80)